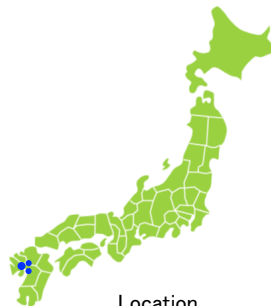


# Actual Data Sheet

- Customer : Mitsubishi material "Higashidani" (No.20, 21, 38)
- Model : V7-100M × 3set
 

US7	US7-636H(35m/s)
Air Screen	AS3900
Fine Sand Separator	BB800
Dust collection	1150m <sup>3</sup> /min
- Date : Dec-2004, May-2007
- Rock type : Limestone
- Yield ratio & Production Volume



Location



写真1 V7

Mitsubishi are the 4th biggest producer of Limestone in Japan  
 Everybody believed it would be impossible to produce a well distributed sand as the stone is crystalline, but we have been able to do so using a V7 with our Fine Sand Separator  
 They bought two V7's in 2004, they bought another one as their sales improved much faster and larger than expected. They are now in full operation working 20 hours a day.  
 Annual production:  
 180t/h × 500h/m × 12m  
 = 1,080,000 tonnes per year

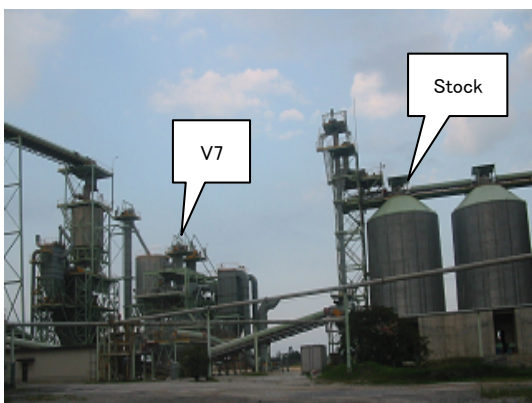
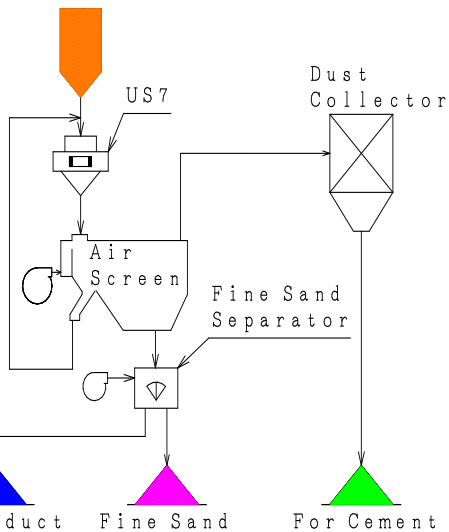


写真2 Stock



	Raw material	V7 product	Fine Sand	For Cement
Yield ratio	300t/h	180.0t/h	60.0t/h	60.0t/h
Production Volume	100%	60.0%	20.0%	20.0%

## 6. Grading

